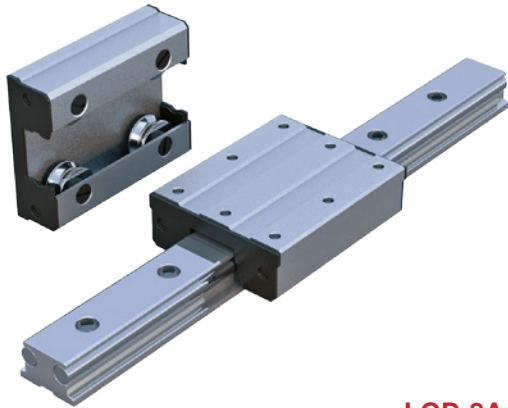
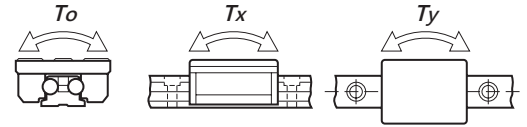


Roller Linear Guide

Standard type (dust-proof)

4 roller bearings



Block Model

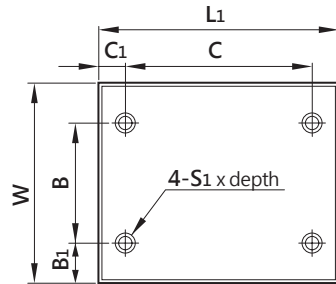
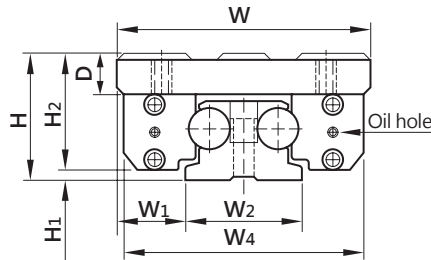
LGD12 B2 R1800C

Track rail length (1800mm)

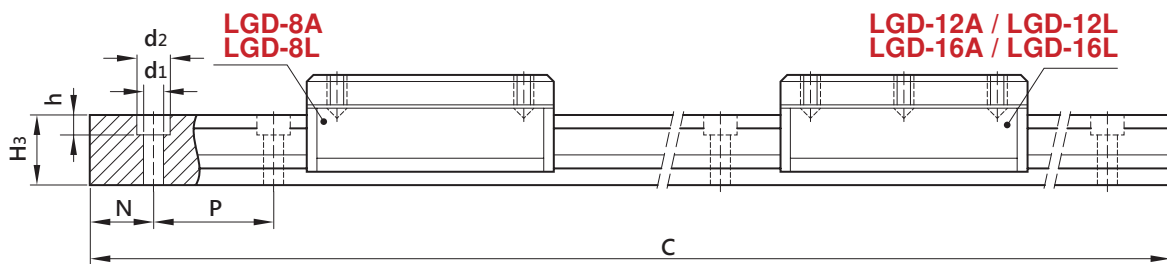
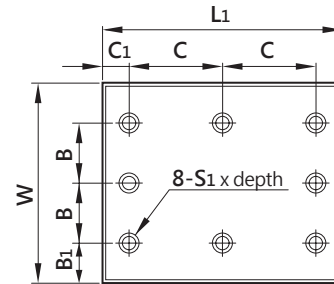
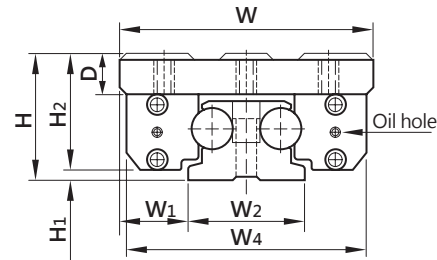
Number of blocks per track rail:
B1: 1 Block
B2: 2 Blocks, B3: 3 Blocks...

Shaft Diameter:
Shaft: Hardened(HRC62±2)
Ground and chromium plated

LGD-8A/ LGD-8L



**LGD-12A/ LGD-12L
LGD-16A/ LGD-16L**



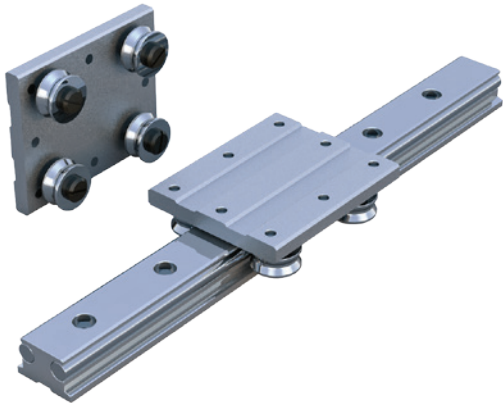
Unit : mm

Model No.	Shaft Dia. Ø	Mounting			Block dimensions										Rail dimensions							Basic Dynamic load rating C (kgf)	Basic Static load rating Co (kgf)	Static Torque rating			
		H	H1	W1	W	W4	H2	D	L1	B	B1	C	C1	S1	W2	H3	d1	d2	h	P	N			L(max)	To	Tx	Ty
LGD-8A	8	30	3.5	16	60	59	26	9	70	40	10	50	10	M6x9	28	20	5.7	10.4	5.2	50	25	3,000	80	130	3.6	3.0	3.2
LGD-8L									100			80													3.6	4.6	5.5
LGD-12A	12	40	4.0	23	82	80	36	12	100	27	14	38	12	M6x12	36	25	6.8	12.6	6.2	50	25	4,000	180	290	5.4	4.0	4.8
LGD-12L									140			58													5.4	7.2	8.5
LGD-16A	16	50	5.0	35	120	118	45	14	150	45	15	60	15	M8x16	50	32	9.0	21.0	8.0	80	40	4,000	330	530	13.5	19.8	21.6
LGD-16L									190			80													13.5	35.6	38.2

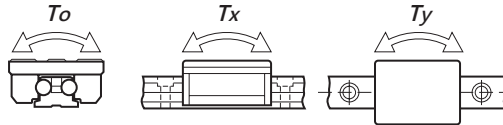
Roller Linear Guide

Economy type

4 roller bearings



Dynamic load rating C (kgf)	Static load rating Co (kgf)	Static Torque rating			Weight	
		To kgf-m	Tx kgf-m	Ty kgf-m	Block kg	Rail kg/m
140	230	4.3	3.2	3.8	0.36	3.2



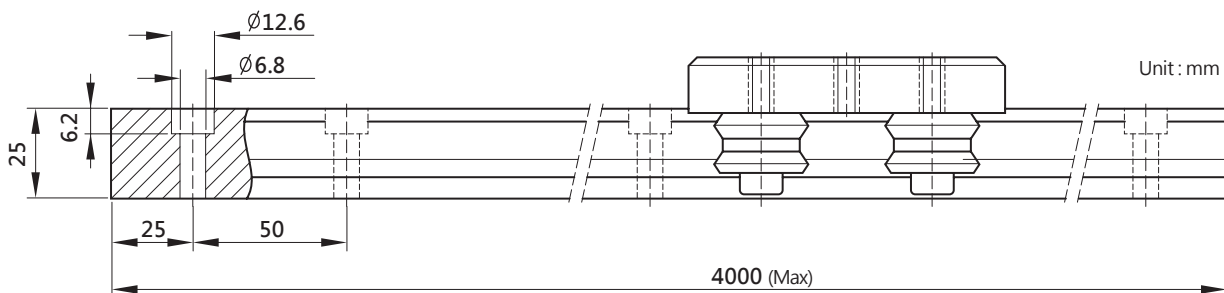
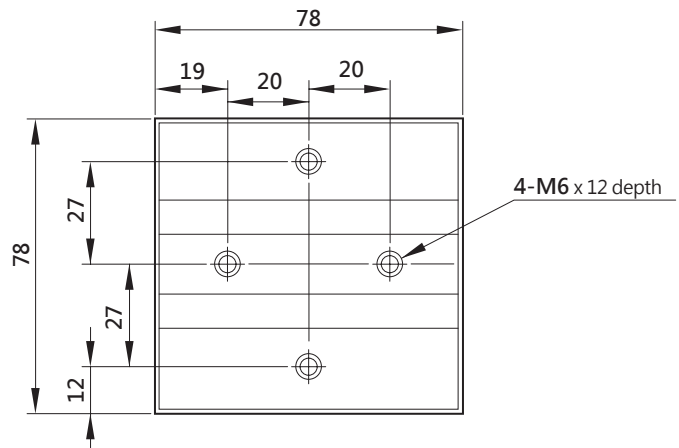
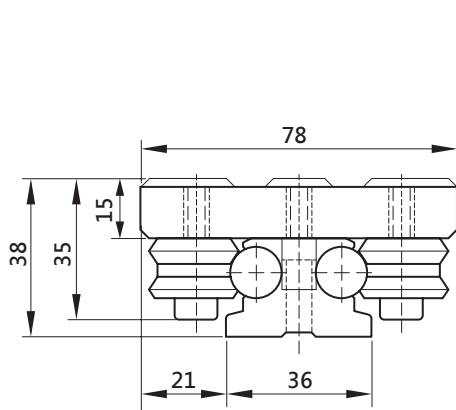
Block Model

LGD12E **B2** **R1800C**

Track rail length (1800mm)

Number of blocks per track rail:
B1: 1 Block
B2: 2 Blocks, B3: 3 Blocks...

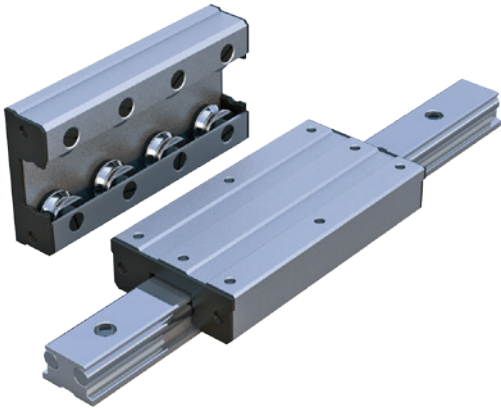
Shaft Diameter:
Shaft: Hardened(HRC62±2)
Ground and chromium plated



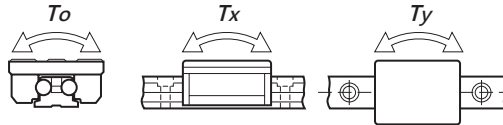
Roller Linear Guide

Heavy load type (dust-proof)

8 roller bearings



Dynamic load rating C (kgf)	Static load rating Co (kgf)	Static Torque rating			Weight	
		To kgf-m	Tx kgf-m	Ty kgf-m	Block kg	Rail kg/m
290	460	8.7	11.2	13.6	0.86	3.2



Block Model

LGD12XL **B2** **R1800C**

Track rail length (1800mm)

Number of blocks per track rail:
B1: 1 Block
B2: 2 Blocks, B3: 3 Blocks...

Shaft Diameter:
Shaft: Hardened(HRC62±2)
Ground and chromium plated

