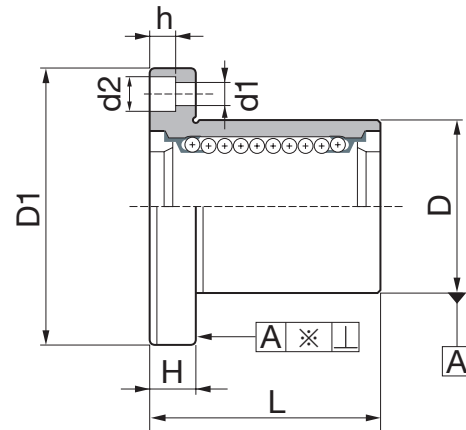


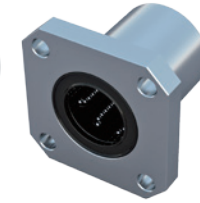


Part No **LMF / LMK / LMH**

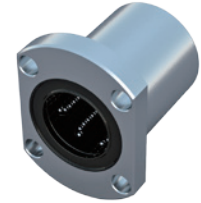
Flange Type



LMF
Round Flange



LMK
Square Flange



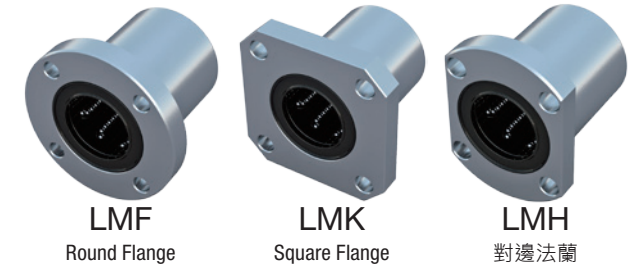
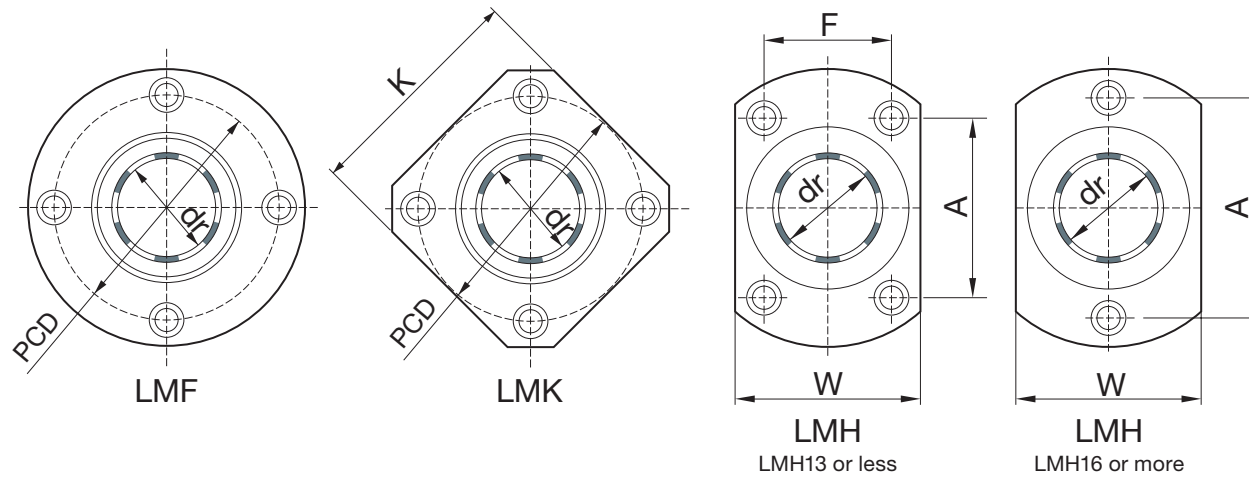
LMH
Two Side Cut Flange

| PRODUCT NUMBER | | | MAIN DIMENSIONS | | | | | | | | |
|-------------------------|---------|---------|-----------------|-------|-------------------------|------|-------------------------|----------------|-------|------|-----------------|
| Model / Slide Bush type | | | Ball circuits | dr mm | tolerance μm | D mm | tolerance μm | L ± 0.3 mm | D1 mm | H mm | d1 x d2 x h mm |
| LMF6UU | LMK6UU | LMH6UU | 4 | 6 | 0 -9 | 12 | 0 -11 | 19 | 28 | 5 | 3.5 x 6 x 3.1 |
| LMF8UU | LMK8UU | LMH8UU | 4 | 8 | | 15 | | 24 | 32 | 5 | 3.5 x 6 x 3.1 |
| LMF10UU | LMK10UU | LMH10UU | 4 | 10 | | 19 | 0 -13 | 29 | 40 | 6 | 4.5 x 7.5 x 4.1 |
| LMF12UU | LMK12UU | LMH12UU | 4 | 12 | | 21 | | 30 | 42 | 6 | 4.5 x 7.5 x 4.1 |
| LMF13UU | LMK13UU | LMH13UU | 4 | 13 | | 23 | | 32 | 43 | 6 | 4.5 x 7.5 x 4.1 |
| LMF16UU | LMK16UU | LMH16UU | 5 | 16 | | 28 | | 37 | 48 | 6 | 4.5 x 7.5 x 4.1 |
| LMF20UU | LMK20UU | LMH20UU | 5 | 20 | 0 -10 | 32 | 0 -16 | 42 | 54 | 8 | 5.5 x 9 x 5.1 |
| LMF25UU | LMK25UU | LMH25UU | 6 | 25 | | 40 | | 59 | 62 | 8 | 5.5 x 9 x 5.1 |
| LMF30UU | LMK30UU | LMH30UU | 6 | 30 | | 45 | | 64 | 74 | 10 | 6.6 x 11 x 6.1 |
| LMF35UU | LMK35UU | - | 6 | 35 | 0 -12 | 52 | 0 -19 | 70 | 82 | 10 | 6.6 x 11 x 6.1 |
| LMF40UU | LMK40UU | - | 6 | 40 | | 60 | | 80 | 96 | 13 | 9 x 14 x 8.1 |
| LMF50UU | LMK50UU | - | 6 | 50 | | 80 | | 100 | 116 | 13 | 9 x 14 x 8.1 |
| LMF60UU | LMK60UU | - | 6 | 60 | 0 -15 | 90 | 0 -22 | 110 | 134 | 18 | 11 x 17 x 11.1 |



Part No **LMF / LMK / LMH**

Flange Type

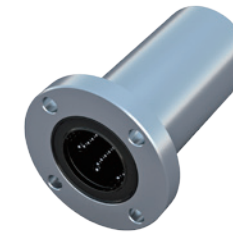
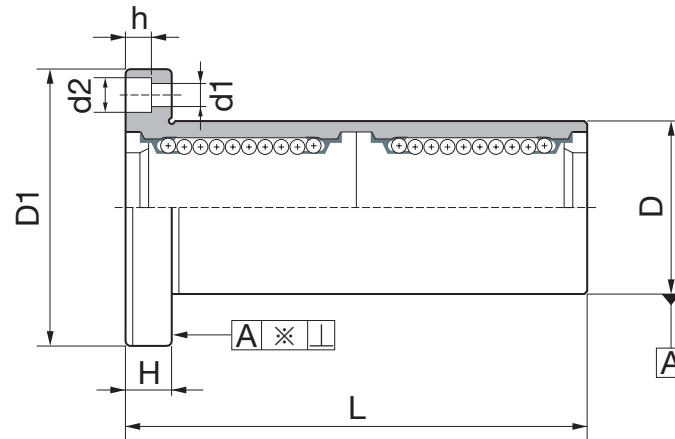


| MAIN DIMENSIONS | | | | | | | Eccentricity (max) μm | Radial Clearance (max) μm | BASIC LOAD RATING | | Weight (g) |
|-----------------|-----------|---------|---------|---------|---------|-------------------|-----------------------------|---------------------------------|-------------------|---------|---------------|
| dr mm | PCD mm | K mm | W mm | A mm | F mm | d1 × d2 × h mm | | | C N | Co N | |
| 6 | 20 | 22 | 18 | 20 | - | 3.5 × 6 × 3.1 | 12 | -3 | 206 | 265 | 24 |
| 8 | 24 | 25 | 21 | 24 | - | 3.5 × 6 × 3.1 | | | 274 | 392 | 37 |
| 10 | 29 | 30 | 25 | 29 | - | 4.5 × 7.5 × 4.1 | | -4 | 372 | 549 | 72 |
| 12 | 32 | 32 | 27 | 32 | - | 4.5 × 7.5 × 4.1 | | | 510 | 784 | 76 |
| 13 | 33 | 34 | 29 | 33 | - | 4.5 × 7.5 × 4.1 | | -6 | 510 | 784 | .88 |
| 16 | 38 | 37 | 34 | 31 | 22 | 4.5 × 7.5 × 4.1 | | | 774 | 1180 | 120 |
| 20 | 43 | 42 | 38 | 36 | 24 | 5.5 × 9 × 5.1 | 15 | -6 | 882 | 1370 | 180 |
| 25 | 51 | 50 | 46 | 40 | 32 | 5.5 × 9 × 5.1 | | | 980 | 1570 | 340 |
| 30 | 60 | 58 | 51 | 49 | 35 | 6.6 × 11 × 6.1 | | -8 | 1570 | 2740 | 470 |
| 35 | 67 | 64 | - | - | - | 6.6 × 11 × 6.1 | 20 | | 1670 | 3140 | 650 |
| 40 | 78 | 75 | - | - | - | 9 × 14 × 8.1 | | -10 | 2160 | 4020 | 1060 |
| 50 | 98 | 92 | - | - | - | 9 × 14 × 8.1 | 25 | | -13 | 3820 | 7940 |
| 60 | 112 | 106 | - | - | - | 11 × 17 × 11.1 | | 4700 | | 10000 | 3000 |

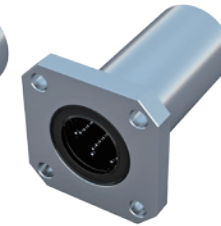


Part No **LMF-L / LMK-L / LMH-L**

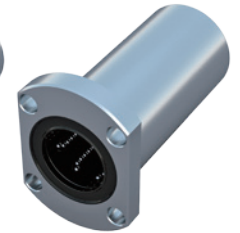
Flange Double-Wide Type



LMF-L
Round Flange



LMK-L
Square Flange



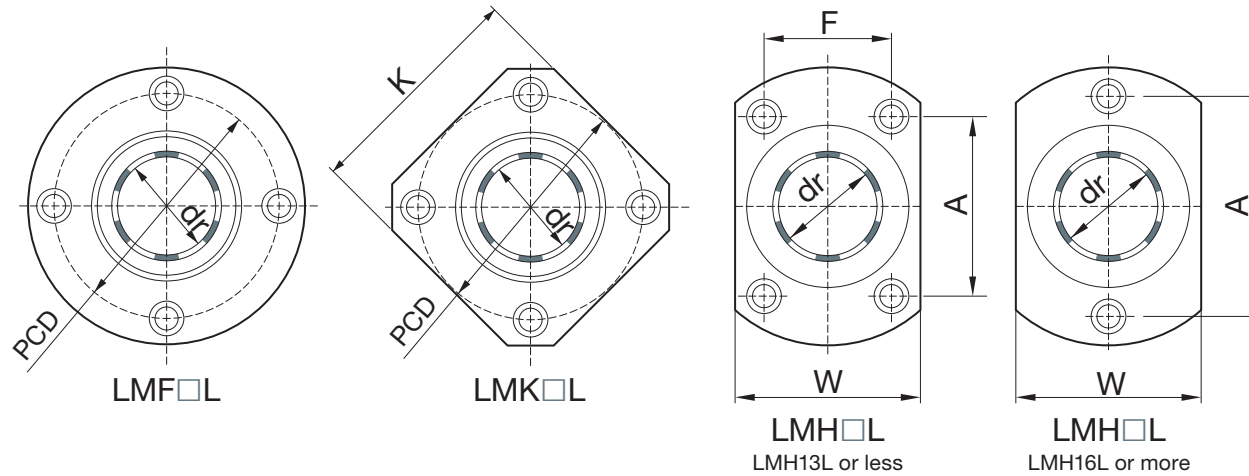
LMH-L
對邊法蘭 加長型

| PRODUCT NUMBER | | | MAIN DIMENSIONS | | | | | | | | | |
|-------------------------|----------|----------|-----------------|-------|-------------------------|----------|-------------------------|----------------|-------|----------------|----------------|-----------------|
| Model / Slide Bush type | | | Ball circuits | dr mm | tolerance μm | D mm | tolerance μm | L ± 0.3 mm | D1 mm | H mm | d1 x d2 x h mm | |
| LMF6LUU | LMK6LUU | LMH6LUU | 4 | 6 | 0-10 | 12 | 0 -13 | 35 | 28 | 5 | 3.5 x 6 x 3.1 | |
| LMF8LUU | LMK8LUU | LMH8LUU | 4 | 8 | | 15 | | 45 | 32 | 5 | 3.5 x 6 x 3.1 | |
| LMF10LUU | LMK10LUU | LMH10LUU | 4 | 10 | | 19 | | 0 -16 | 55 | 40 | 6 | 4.5 x 7.5 x 4.1 |
| LMF12LUU | LMK12LUU | LMH12LUU | 4 | 12 | | 21 | | | 57 | 42 | 6 | 4.5 x 7.5 x 4.1 |
| LMF13LUU | LMK13LUU | LMH13LUU | 4 | 13 | | 23 | | | 61 | 43 | 6 | 4.5 x 7.5 x 4.1 |
| LMF16LUU | LMK16LUU | LMH16LUU | 5 | 16 | | 28 | | | 70 | 48 | 6 | 4.5 x 7.5 x 4.1 |
| LMF20LUU | LMK20LUU | LMH20LUU | 5 | 20 | 32 | 0 -19 | 80 | 54 | 8 | 5.5 x 9 x 5.1 | | |
| LMF25LUU | LMK25LUU | LMH25LUU | 6 | 25 | 40 | | 112 | 62 | 8 | 5.5 x 9 x 5.1 | | |
| LMF30LUU | LMK30LUU | LMH30LUU | 6 | 30 | 45 | | 123 | 74 | 10 | 6.6 x 11 x 6.1 | | |
| LMF35LUU | LMK35LUU | - | 6 | 35 | 52 | | 0 -22 | 135 | 82 | 10 | 6.6 x 11 x 6.1 | |
| LMF40LUU | LMK40LUU | - | 6 | 40 | 60 | 151 | | 96 | 13 | 9 x 14 x 8.1 | | |
| LMF50LUU | LMK50LUU | - | 6 | 50 | 80 | 192 | | 116 | 13 | 9 x 14 x 8.1 | | |
| LMF60LUU | LMK60LUU | - | 6 | 60 | 0 -20 | 90 | 0 -25 | 209 | 134 | 18 | 11 x 17 x 11.1 | |

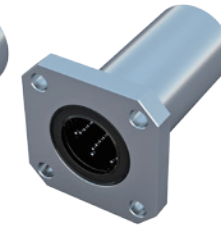


Part No **LMF-L / LMK-L / LMH-L**

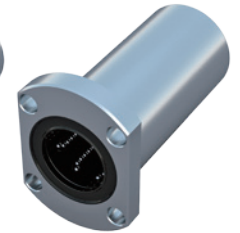
Flange Double-Wide Type



LMF-L
Round Flange



LMK-L
Square Flange

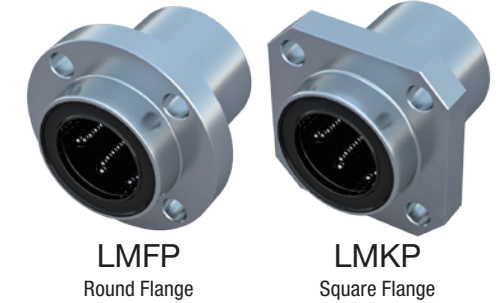
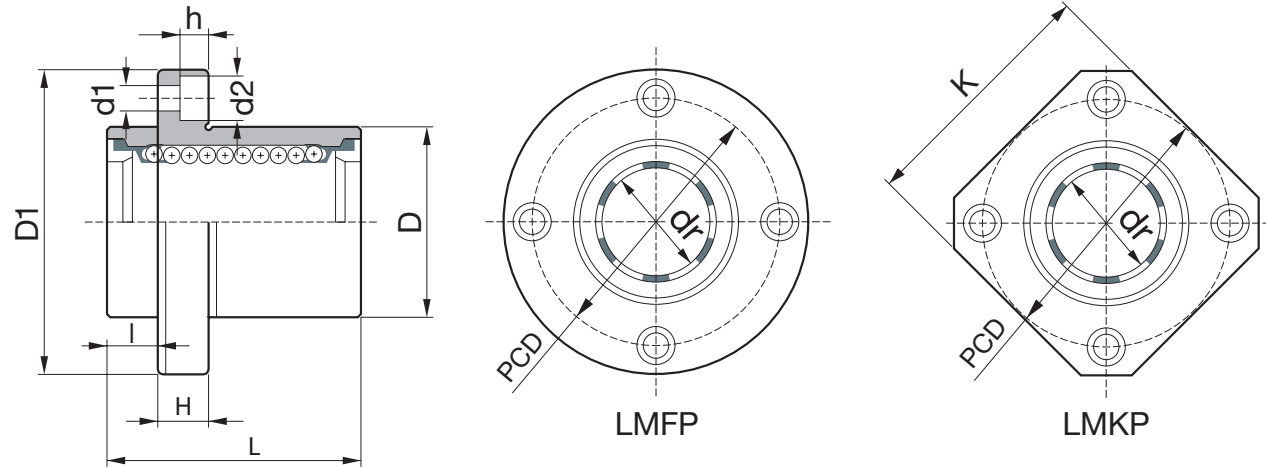


LMH-L
對邊法蘭 加長型

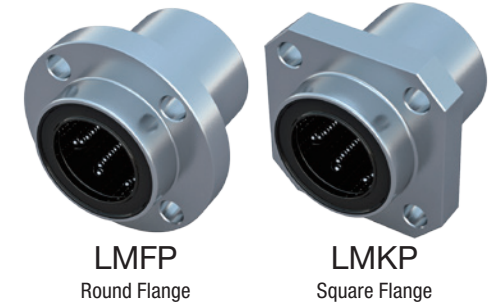
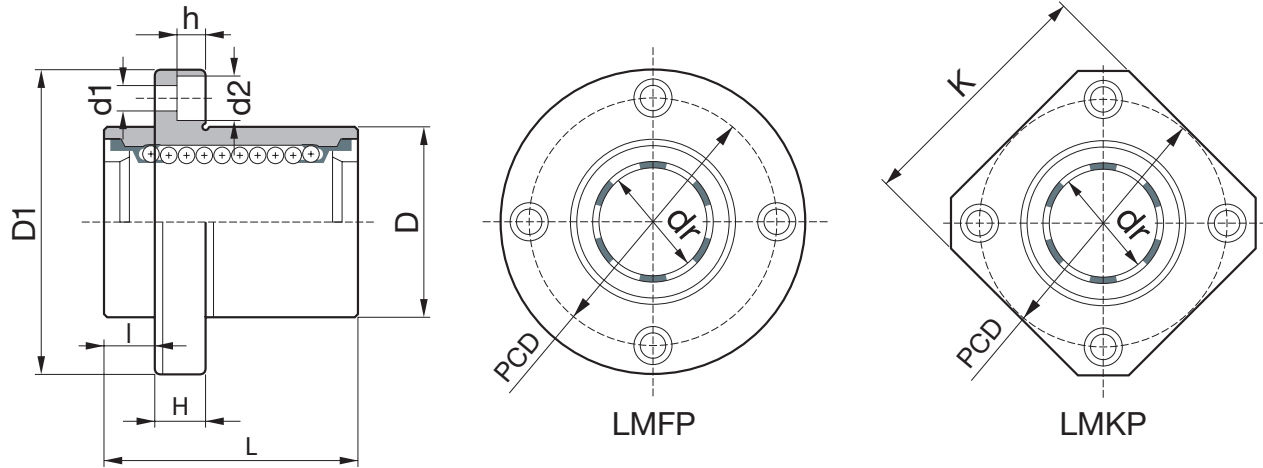
| MAIN DIMENSIONS | | | | | | | Eccentricity (max) μm | Radial Clearance (max) μm | BASIC LOAD RATING | | Weight (g) |
|-----------------|-----------|---------|---------|---------|---------|-------------------|-----------------------------|---------------------------------|-------------------|---------|---------------|
| dr mm | PCD mm | K mm | W mm | A mm | F mm | dl × d2 × h mm | | | C N | Co N | |
| 6 | 20 | 22 | 18 | 20 | - | 3.5 × 6 × 3.1 | 15 | -3 | 323 | 529 | 31 |
| 8 | 24 | 25 | 21 | 24 | - | 3.5 × 6 × 3.1 | 15 | -3 | 431 | 784 | 51 |
| 10 | 29 | 30 | 25 | 29 | - | 4.5 × 7.5 × 4.1 | 15 | -4 | 588 | 1100 | 98 |
| 12 | 32 | 32 | 27 | 32 | - | 4.5 × 7.5 × 4.1 | 15 | -4 | 813 | 1570 | 110 |
| 13 | 33 | 34 | 29 | 33 | - | 4.5 × 7.5 × 4.1 | 15 | -4 | 813 | 1570 | 130 |
| 16 | 38 | 37 | 34 | 31 | 22 | 4.5 × 7.5 × 4.1 | 15 | -6 | 1230 | 2350 | 190 |
| 20 | 43 | 42 | 38 | 36 | 24 | 5.5 × 9 × 5.1 | 20 | -6 | 1400 | 2740 | 260 |
| 25 | 51 | 50 | 46 | 40 | 32 | 5.5 × 9 × 5.1 | 20 | -6 | 1560 | 3140 | 540 |
| 30 | 60 | 58 | 51 | 49 | 35 | 6.6 × 11 × 6.1 | 20 | -8 | 2490 | 5490 | 680 |
| 35 | 67 | 64 | - | - | - | 6.6 × 11 × 6.1 | 25 | -8 | 2650 | 6270 | 1020 |
| 40 | 78 | 75 | - | - | - | 9 × 14 × 8.1 | 25 | -10 | 3430 | 8040 | 1570 |
| 50 | 98 | 92 | - | - | - | 9 × 14 × 8.1 | 25 | -13 | 6080 | 15900 | 3600 |
| 60 | 112 | 106 | - | - | - | 11 × 17 × 11.1 | 25 | -13 | 7550 | 20000 | 4500 |

Part No **LMFP / LMKP**

Flange Type with Pilot End



| PRODUCT NUMBER | | MAIN DIMENSIONS | | | | | | | | | | | Eccentricity (max) μm | BASIC LOAD RATING | | Weight (g) |
|----------------|---------------|-----------------|--------------|----------|--------------|-----------|------|-------|------|------|-----------------|-----------------|-----------------------|-------------------|------|------------|
| Model | Ball circuits | dr (mm) | tolerance μm | D (mm) | tolerance μm | L ±0.3 mm | I mm | D1 mm | K mm | H mm | PCD mm | d1 × d2 × h mm | | C N | Co N | |
| LMFP6UU | 4 | 6 | 0 -9 | 12 | 0 -13 | 19 | 5 | 28 | 22 | 5 | 20 | 3.5 × 6 × 3.1 | 12 | 206 | 265 | 24 |
| LMKP6UU | | | | | | | | | | | | | | | | |
| LMFP8UU | 4 | 8 | | 15 | 0 -13 | 24 | 5 | 32 | 25 | 5 | 24 | 3.5 × 6 × 3.1 | | 274 | 392 | 37 |
| LMKP8UU | | | | | | | | | | | | | | | | |
| LMFP10UU | 4 | 10 | | 19 | 0 -16 | 29 | 6 | 40 | 30 | 6 | 29 | 4.5 × 7.5 × 4.1 | | 372 | 549 | 72 |
| LMKP10UU | | | | | | | | | | | | | | | | |
| LMFP12UU | 4 | 12 | | 21 | 0 -16 | 30 | 6 | 42 | 32 | 6 | 32 | 4.5 × 7.5 × 4.1 | | 510 | 784 | 76 |
| LMKP12UU | | | | | | | | | | | | | | | | |
| LMFP13UU | 4 | 13 | | 23 | 0 -16 | 32 | 6 | 43 | 34 | 6 | 33 | 4.5 × 7.5 × 4.1 | | 510 | 784 | 88 |
| LMKP13UU | | | | | | | | | | | | | | | | |
| LMFP16UU | 5 | 16 | 28 | 0 -16 | 37 | 6 | 48 | 37 | 6 | 38 | 4.5 × 7.5 × 4.1 | 774 | 1180 | 120 | | |
| LMKP16UU | | | | | | | | | | | | | | | | |

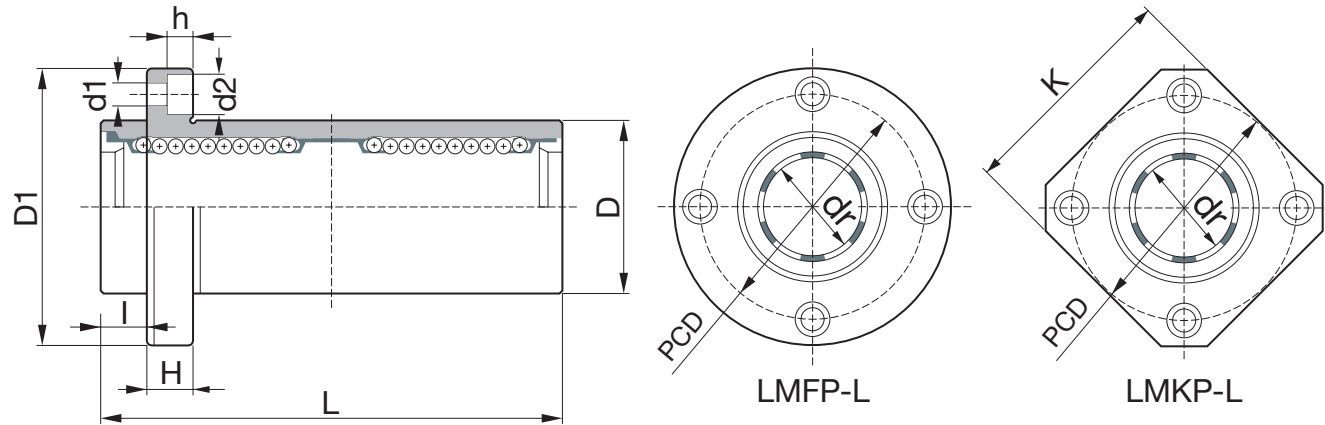


| PRODUCT NUMBER | | MAIN DIMENSIONS | | | | | | | | | | | Eccentricity (max) μm | BASIC LOAD RATING | | Weight (g) |
|----------------|---------------|-----------------|-------------------------|--------|-------------------------|----------------|------|-------|------|------|--------|----------------|----------------------------------|-------------------|-------|------------|
| Model | Ball circuits | dr (mm) | tolerance μm | D (mm) | tolerance μm | L ± 0.3 mm | I mm | D1 mm | K mm | H mm | PCD mm | d1 x d2 x h mm | | C N | Co N | |
| LMFP20UU | 5 | 20 | 0 -10 | 32 | 0 -19 | 42 | 8 | 54 | 42 | 8 | 43 | 5.5 x 9 x 5.1 | 15 | 882 | 1370 | 180 |
| LMKP20UU | | | | | | | | | | | | | | | | |
| LMFP25UU | 6 | 25 | 0 -10 | 40 | 0 -19 | 59 | 8 | 62 | 50 | 8 | 51 | 5.5 x 9 x 5.1 | 15 | 980 | 1570 | 340 |
| LMKP25UU | | | | | | | | | | | | | | | | |
| LMFP30UU | 6 | 30 | 0 -10 | 45 | 0 -19 | 64 | 10 | 74 | 58 | 10 | 60 | 6.6 x 11 x 6.1 | 15 | 1570 | 2740 | 470 |
| LMKP30UU | | | | | | | | | | | | | | | | |
| LMFP35UU | 6 | 35 | 0 -10 | 52 | 0 -19 | 70 | 10 | 82 | 64 | 10 | 67 | 6.6 x 11 x 6.1 | 15 | 1670 | 3140 | 650 |
| LMKP35UU | | | | | | | | | | | | | | | | |
| LMFP40UU | 6 | 40 | 0 -12 | 60 | 0 -22 | 80 | 13 | 96 | 75 | 13 | 78 | 9 x 14 x 8.1 | 20 | 2160 | 4020 | 1060 |
| LMKP40UU | | | | | | | | | | | | | | | | |
| LMFP50UU | 6 | 50 | 0 -12 | 80 | 0 -22 | 100 | 13 | 116 | 92 | 18 | 98 | 9 x 14 x 8.1 | 20 | 3820 | 7940 | 2200 |
| LMKP50UU | | | | | | | | | | | | | | | | |
| LMFP60UU | 6 | 60 | 0 -15 | 90 | 0 -25 | 110 | 18 | 134 | 106 | 18 | 112 | 11 x 17 x 11.1 | 25 | 4700 | 10000 | 3000 |
| LMKP60UU | | | | | | | | | | | | | | | | |



Part No **LMFP-L / LMKP-L**

Flange Type with Pilot End
(Double-Wide Type)



LMFP-L
Round Flange



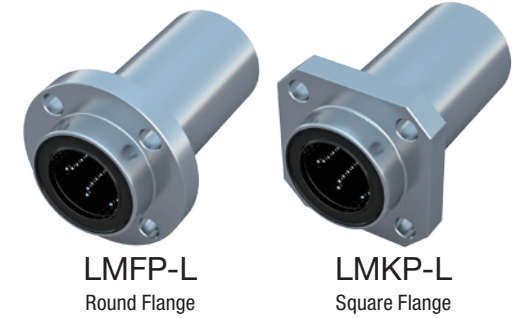
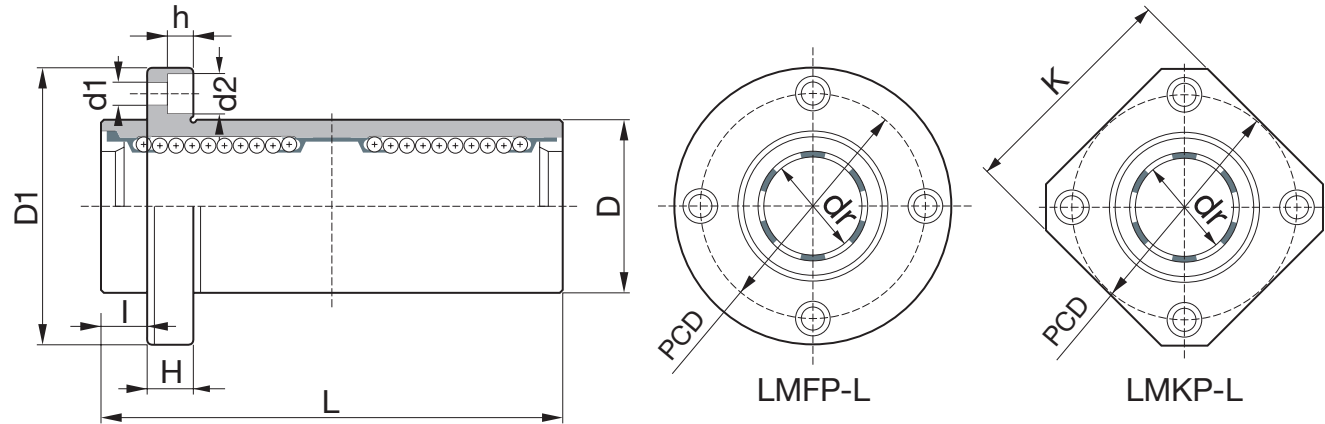
LMKP-L
Square Flange

| PRODUCT NUMBER | | MAIN DIMENSIONS | | | | | | | | | | | Eccentricity (max) μm | BASIC LOAD RATING | | Weight (g) |
|----------------|------------------|-----------------|-----------------|----------|-----------------|--------------|---------|----------|---------|---------|-----------------|-------------------|-----------------------------|-------------------|---------|---------------|
| Model | Ball circuits | dr mm | tolerance μm | D mm | tolerance μm | L ±0.3 mm | I mm | D1 mm | K mm | H mm | PCD mm | d1 × d2 × h mm | | C N | Co N | |
| LMFP6LUU | 4 | 6 | 0 -10 | 12 | 0 -13 | 35 | 5 | 28 | 22 | 5 | 20 | 3.5 × 6 × 3.1 | 15 | 323 | 529 | 31 |
| LMKP6LUU | | | | | | | | | | | | | | | | |
| LMFP8LUU | 4 | 8 | | 15 | 0 -16 | 45 | 5 | 32 | 25 | 5 | 24 | 3.5 × 6 × 3.1 | | 431 | 784 | 51 |
| LMKP8LUU | | | | | | | | | | | | | | | | |
| LMFP10LUU | 4 | 10 | | 19 | 0 -16 | 55 | 6 | 40 | 30 | 6 | 29 | 4.5 × 7.5 × 4.1 | | 588 | 1100 | 98 |
| LMKP10LUU | | | | | | | | | | | | | | | | |
| LMFP12LUU | 4 | 12 | | 21 | 0 -16 | 57 | 6 | 42 | 32 | 6 | 32 | 4.5 × 7.5 × 4.1 | | 813 | 1570 | 110 |
| LMKP12LUU | | | | | | | | | | | | | | | | |
| LMFP13LUU | 4 | 13 | | 23 | 0 -16 | 61 | 6 | 43 | 34 | 6 | 33 | 4.5 × 7.5 × 4.1 | | 813 | 1570 | 130 |
| LMKP13LUU | | | | | | | | | | | | | | | | |
| LMFP16LUU | 5 | 16 | 28 | 0 -16 | 70 | 6 | 48 | 37 | 6 | 38 | 4.5 × 7.5 × 4.1 | 1230 | 2350 | 190 | | |
| LMKP16LUU | | | | | | | | | | | | | | | | |

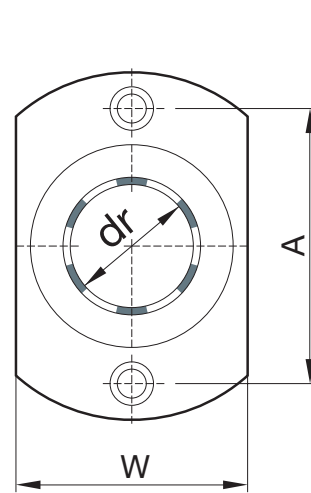
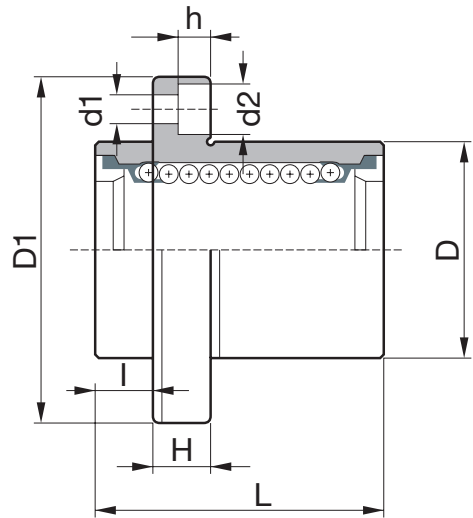


Part No **LMFP-L / LMKP-L**

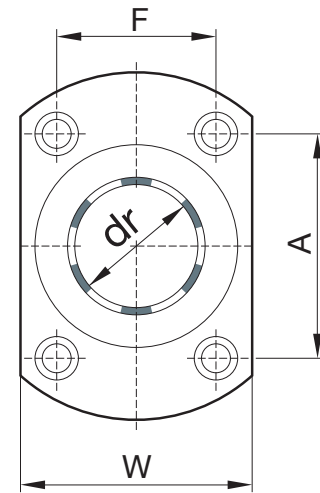
Flange Type with Pilot End
(Double-Wide Type)



| PRODUCT NUMBER | | MAIN DIMENSIONS | | | | | | | | | | | Eccentricity (max) μm | BASIC LOAD RATING | | Weight (g) | | |
|----------------|------------------|-----------------|-----------------|---------|-----------------|--------------|----------|----------|---------|---------|------------------|-------------------|-----------------------------|-------------------|---------|---------------|------|------|
| Model | Ball circuits | dr mm | tolerance μm | D mm | tolerance μm | L ±0.3 mm | I mm | D1 mm | K mm | H mm | PCD mm | d1 × d2 × h mm | | C N | Co N | | | |
| LMFP20LUU | 5 | 20 | 0 -12 | 32 | 0 -19 | 80 | 8 | 54 | 42 | 8 | 43 | 5.5 × 9 × 5.1 | 20 | 1400 | 2740 | 260 | | |
| LMKP20LUU | | | | | | 112 | 8 | 62 | 50 | 8 | 51 | 5.5 × 9 × 5.1 | | 1560 | 3140 | 540 | | |
| LMFP25LUU | 6 | 25 | | 40 | | 123 | 10 | 74 | 58 | 10 | 60 | 6.6 × 11 × 6.1 | | 2490 | 5490 | 680 | | |
| LMKP25LUU | | | | | | 135 | 10 | 82 | 64 | 10 | 67 | 6.6 × 11 × 6.1 | | 2650 | 6270 | 1020 | | |
| LMFP30LUU | 6 | 30 | | 45 | | 151 | 0 -22 | 13 | 96 | 75 | 13 | 78 | | 9 × 14 × 8.1 | 25 | 3430 | 8040 | 1570 |
| LMKP30LUU | | | | | | | | | | | | | | | | | | |
| LMFP35LUU | 6 | 35 | 52 | 151 | 60 | 13 | | 96 | 75 | 13 | 78 | 9 × 14 × 8.1 | 25 | 3430 | | 8040 | 1570 | |
| LMKP35LUU | | | | | | | | | | | | | | | | | | 192 |
| LMFP40LUU | 6 | 40 | 60 | 192 | 80 | 13 | | 116 | 92 | 13 | 98 | 9 × 14 × 8.1 | 25 | 6080 | | 15500 | 3600 | |
| LMKP40LUU | | | | | | | | | | | | | | | | | | 209 |
| LMFP50LUU | 6 | 50 | 80 | 192 | 80 | 13 | 116 | 92 | 13 | 98 | 9 × 14 × 8.1 | 25 | 6080 | 15500 | 3600 | | | |
| LMKP50LUU | | | | | | | | | | | | | | | | 209 | 18 | 134 |
| LMFP60LUU | 6 | 60 | 90 | 209 | 90 | 18 | 134 | 106 | 18 | 112 | 11 × 17.5 × 10.8 | 25 | 7550 | 20000 | 4500 | | | |
| LMKP60LUU | | | | | | | | | | | | | | | | 209 | 18 | 134 |



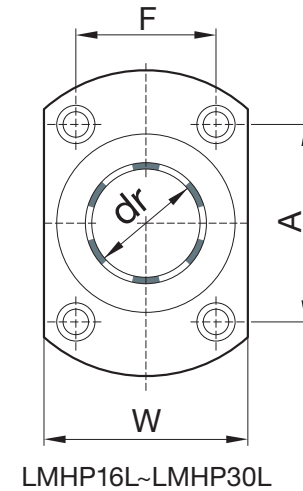
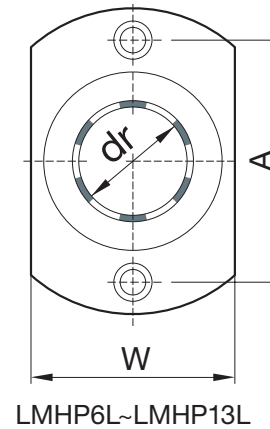
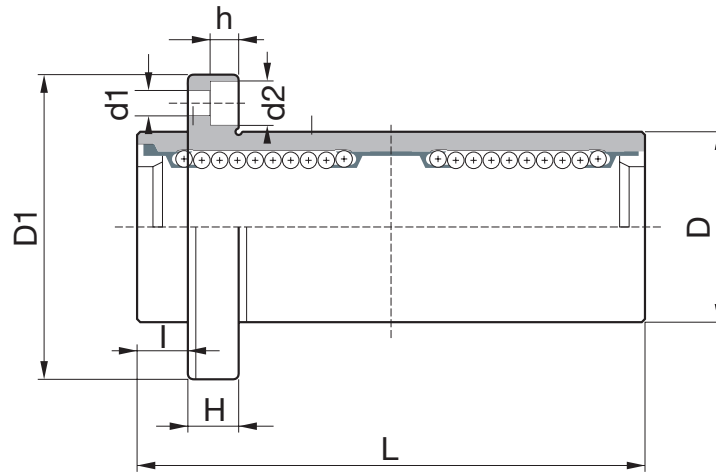
LMHP6~LMHP13



LMHP16~LMHP40



| PRODUCT NUMBER | | MAIN DIMENSIONS | | | | | | | | | | | | Eccentricity (max) μm | BASIC LOAD RATING | | Weight (g) |
|----------------|---------------|-----------------|-------------------------|------|-------------------------|----------------|------|-------|------|------|------|-----------------|-----------------|----------------------------------|-------------------|------|------------|
| Model | Ball circuits | dr mm | tolerance μm | D mm | tolerance μm | L ± 0.3 mm | I mm | D1 mm | W mm | H mm | A mm | F mm | D1 x d2 x h mm | | C N | Co N | |
| LMHP6UU | 4 | 6 | 0 -9 | 12 | 0 -13 | 19 | 5 | 28 | 18 | 5 | 20 | - | 3.5 x 6 x 3.1 | 12 | 206 | 265 | 21 |
| LMHP8UU | 4 | 8 | | 15 | | 24 | 5 | 32 | 21 | 5 | 24 | - | 3.5 x 6 x 3.1 | | 274 | 392 | 33 |
| LMHP10UU | 4 | 10 | | 19 | | 29 | 6 | 40 | 25 | 6 | 29 | - | 4.5 x 7.5 x 4.1 | | 372 | 549 | 64 |
| LMHP12UU | 4 | 12 | | 21 | 30 | 6 | 42 | 27 | 6 | 32 | - | 4.5 x 7.5 x 4.1 | 510 | | 784 | 68 | |
| LMHP13UU | 4 | 13 | | 23 | 32 | 6 | 43 | 29 | 6 | 33 | - | 4.5 x 7.5 x 4.1 | 510 | | 784 | 81 | |
| LMHP16UU | 5 | 16 | | 28 | 37 | 6 | 48 | 34 | 6 | 31 | 22 | 4.5 x 7.5 x 4.1 | 774 | | 1180 | 112 | |
| LMHP20UU | 5 | 20 | 0 -10 | 32 | 0 -19 | 42 | 8 | 54 | 38 | 8 | 36 | 24 | 5.5 x 9 x 5.1 | 15 | 882 | 1370 | 167 |
| LMHP25UU | 6 | 25 | | 40 | | 59 | 8 | 62 | 46 | 8 | 40 | 32 | 5.5 x 9 x 5.1 | | 980 | 1570 | 325 |
| LMHP30UU | 6 | 30 | | 45 | | 64 | 10 | 74 | 51 | 10 | 49 | 35 | 6.6 x 11 x 6.1 | | 1570 | 2740 | 388 |

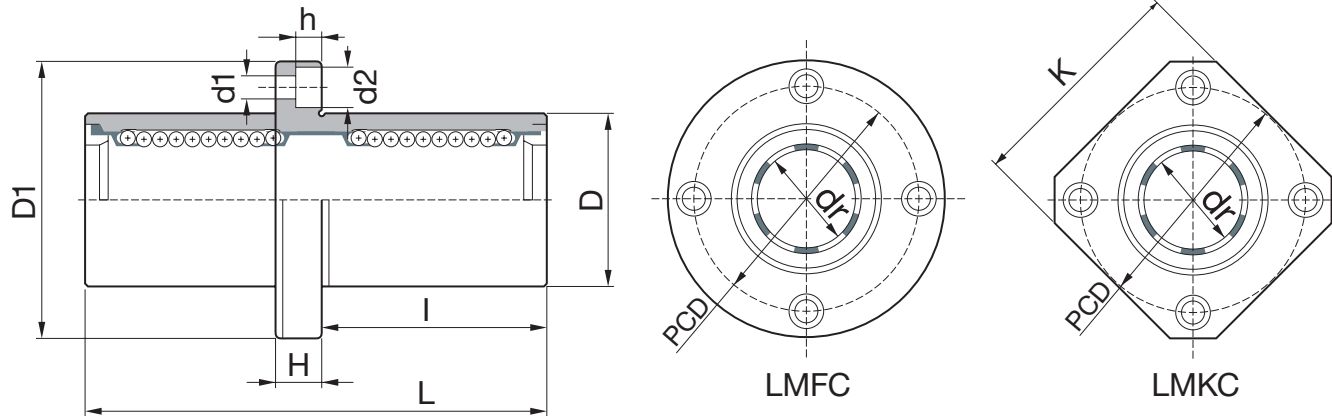


| PRODUCT NUMBER | | MAIN DIMENSIONS | | | | | | | | | | | Eccentricity (max) μm | BASIC LOAD RATING | | Weight (g) | |
|----------------|---------------|-----------------|-------------------------|------|-------------------------|----------------|------|-------|------|------|------|-------------------------------|----------------------------------|------------------------------|------|------------|------|
| Model | Ball circuits | dr mm | tolerance μm | D mm | tolerance μm | L ± 0.3 mm | I mm | D1 mm | W mm | H mm | A mm | F mm | | d1 \times d2 \times h mm | C N | | Co N |
| LMHP6LUU | 4 | 6 | 0 -10 | 12 | 0 -13 | 35 | 5 | 28 | 18 | 5 | 20 | - | 3.5 \times 6 \times 3.1 | 15 | 323 | 529 | 28 |
| LMHP8LUU | 4 | 8 | | 15 | | 45 | 5 | 32 | 21 | 5 | 24 | - | 3.5 \times 6 \times 3.1 | | 431 | 784 | 47 |
| LMHP10LUU | 4 | 10 | | 19 | | 55 | 6 | 40 | 25 | 6 | 29 | - | 4.5 \times 7.5 \times 4.1 | | 588 | 1100 | 90 |
| LMHP12LUU | 4 | 12 | | 21 | 58 | 6 | 42 | 27 | 6 | 32 | - | 4.5 \times 7.5 \times 4.1 | 813 | | 1570 | 102 | |
| LMHP13LUU | 4 | 13 | | 23 | 61 | 6 | 43 | 29 | 6 | 33 | - | 4.5 \times 7.5 \times 4.1 | 813 | | 1570 | 123 | |
| LMHP16LUU | 5 | 16 | 0 -12 | 28 | 0 -16 | 70 | 6 | 48 | 34 | 6 | 31 | 22 | 4.5 \times 7.5 \times 4.1 | 20 | 1230 | 2350 | 182 |
| LMHP20LUU | 5 | 20 | | 32 | | 80 | 8 | 54 | 38 | 8 | 36 | 24 | 5.5 \times 9 \times 5.1 | | 1400 | 2740 | 247 |
| LMHP25LUU | 6 | 25 | | 40 | | 112 | 8 | 62 | 46 | 8 | 40 | 32 | 5.5 \times 9 \times 5.1 | | 1560 | 3140 | 525 |
| LMHP30LUU | 6 | 30 | | 45 | 123 | 10 | 74 | 51 | 10 | 49 | 35 | 6.6 \times 11 \times 6.1 | 2490 | | 5490 | 645 | |



Part No **LMFC/LMKC**

Center Mount Flange Type
(Double-Wide)

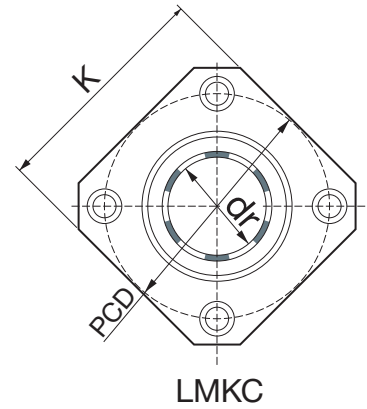
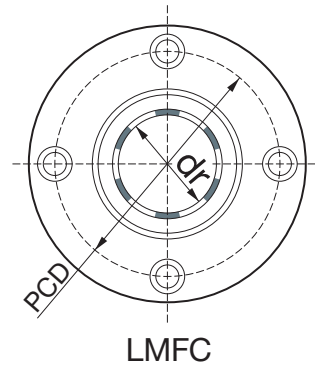
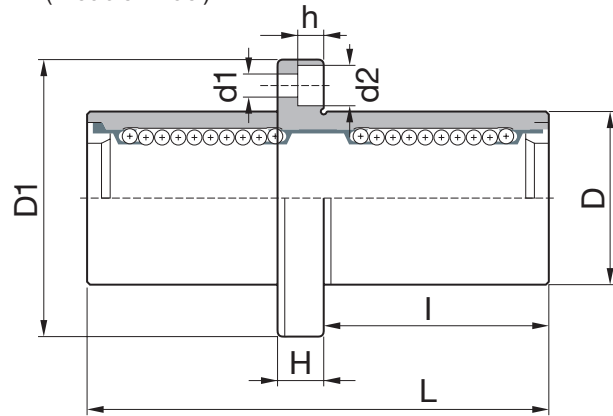


| PRODUCT NUMBER | | MAIN DIMENSIONS | | | | | | | | | | | Eccentricity (max) μm | BASIC LOAD RATING | | Weight (g) |
|----------------|------------------|-----------------|-----------------|---------|-----------------|--------------|---------|----------|---------|---------|-----------|-------------------|-----------------------------|-------------------|---------|---------------|
| Model | Ball circuits | dr mm | tolerance μm | D mm | tolerance μm | L ±0.3 mm | I mm | D1 mm | K mm | H mm | PCD mm | d1 × d2 × h mm | | C N | Co N | |
| LMFC6UU | 4 | 6 | 0 -10 | 12 | 0 -13 | 35 | 15 | 28 | 22 | 5 | 20 | 3.5 × 6 × 3.1 | 15 | 323 | 529 | 31 |
| LMKC6UU | | | | | | | | | | | | | | | | |
| LMFC8UU | 4 | 8 | | 15 | | 45 | 20 | 32 | 25 | 5 | 24 | 3.5 × 6 × 3.1 | | 431 | 784 | 51 |
| LMKC8UU | | | | | | | | | | | | | | | | |
| LMFC10UU | 4 | 10 | | 19 | | 55 | 24.5 | 40 | 30 | 6 | 29 | 4.5 × 7.5 × 4.1 | | 588 | 1100 | 98 |
| LMKC10UU | | | | | | | | | | | | | | | | |
| LMFC12UU | 4 | 12 | | 21 | | 57 | 25.5 | 42 | 32 | 6 | 32 | 4.5 × 7.5 × 4.1 | | 813 | 1570 | 110 |
| LMKC12UU | | | | | | | | | | | | | | | | |
| LMFC13UU | 4 | 13 | | 23 | | 61 | 27.5 | 43 | 34 | 6 | 33 | 4.5 × 7.5 × 4.1 | | 813 | 1570 | 130 |
| LMKC13UU | | | | | | | | | | | | | | | | |
| LMFC16UU | 5 | 16 | | 28 | | 70 | 32 | 48 | 37 | 6 | 38 | 4.5 × 7.5 × 4.1 | | 1230 | 2350 | 190 |
| LMKC16UU | | | | | | | | | | | | | | | | |



Part No **LMFC/LMKC**

Center Mount Flange Type
(Double-Wide)



LMFC Center Mount Round Flange
LMKC Center Mount Square Flange

| PRODUCT NUMBER | | MAIN DIMENSIONS | | | | | | | | | | | Eccentricity (max) μm | BASIC LOAD RATING | | Weight (g) |
|----------------|---------------|-----------------|-------------------------|------|-------------------------|----------------|------|-------|------|----------------|--------|----------------|----------------------------------|-------------------|-------|------------|
| Model | Ball circuits | dr mm | tolerance μm | D mm | tolerance μm | L ± 0.3 mm | I mm | D1 mm | K mm | H mm | PCD mm | d1 x d2 x h mm | | C N | Co N | |
| LMFC20UU | 5 | 20 | 0 -12 | 32 | 0 -19 | 80 | 36 | 54 | 42 | 8 | 43 | 5.5 x 9 x 5.1 | 20 | 1400 | 2740 | 260 |
| LMKC20UU | | | | | | | | | | | | | | | | |
| LMFC25UU | 6 | 25 | | 40 | | 112 | 52 | 62 | 50 | 8 | 51 | 5.5 x 9 x 5.1 | | | | |
| LMKC25UU | | | | | | | | | | | | | | | | |
| LMFC30UU | 6 | 30 | | 45 | | 123 | 56.5 | 74 | 58 | 10 | 60 | 6.6 x 11 x 6.1 | | | | |
| LMKC30UU | | | | | | | | | | | | | | | | |
| LMFC35UU | 6 | 35 | 52 | 135 | 62.5 | 82 | 64 | 10 | 67 | 6.6 x 11 x 6.1 | 2650 | 6270 | 1020 | | | |
| LMKC35UU | | | | | | | | | | | | | | | | |
| LMFC40UU | 6 | 40 | 0 -15 | 60 | 0 -22 | 151 | 69 | 96 | 75 | 13 | 78 | 9 x 14 x 8.1 | 25 | 3430 | 8040 | 1570 |
| LMKC40UU | | | | | | | | | | | | | | | | |
| LMFC50UU | 6 | 50 | 80 | 192 | 89.5 | 116 | 92 | 13 | 98 | 9 x 14 x 8.1 | 6080 | 15900 | 3600 | | | |
| LMKC50UU | | | | | | | | | | | | | | | | |
| LMFC60UU | 6 | 60 | 0 -20 | 90 | 0 -25 | 209 | 95.5 | 134 | 106 | 18 | 112 | 11 x 17 x 11.1 | 30 | 7550 | 20000 | 4500 |
| LMKC60UU | | | | | | | | | | | | | | | | |