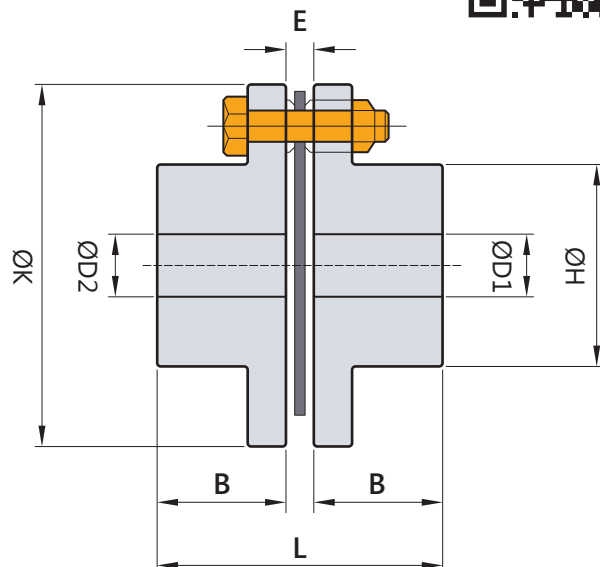
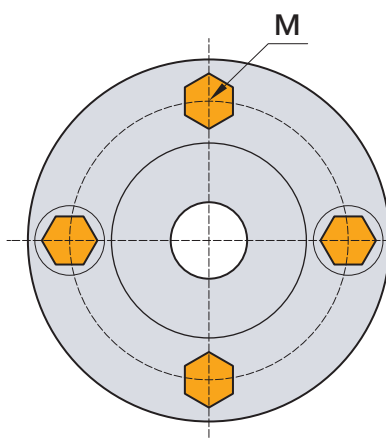


CM

General Screw Type



W : Spacer
 JS : Lengthened Shaft diameter Shaft diameter

CM-56 W N - D1 J × D2 P

Type Center Type
 N : Standard HUB
 K : Extend HUB
 L : Enlarge HUB
 TB : Taper HUB

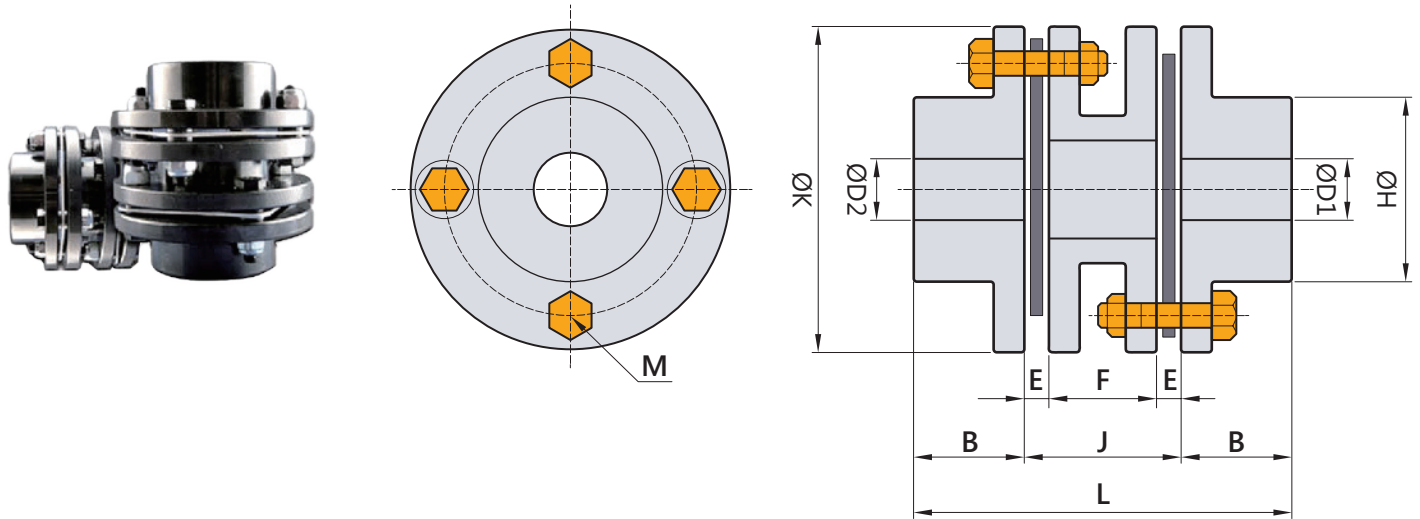
keyway
 C : Clamp type fixed
 J : keyway
 P : Power Locker

Product No	D1×D2 Tolerance (H8)		H	K	B	E	L	M	Material
	min	max							
CM-56	7	20	32	56	20	4.95	44.95	M5	S45C
CM-68	10	25	38	68	25	5.25	55.25	M6	S45C
CM-82	12	35	52	82	25	8.8	58.8	M6	S45C
CM-94	12	40	56	94	30	9.4	69.4	M8	S45C
CM-105	12	42	66	105	33	10	76	M8	S45C
CM-128	25	50	78	128	40	11	91	M10	S45C
CM-144	30	55	90	144	45	11.6	101.6	M10	S45C
CM-168	35	70	105	168	57.2	16.8	131.2	M14	S45C
CM-194	40	80	118	194	64.5	15	144	M16	S45C
CM-214	45	95	137	214	76.2	21.6	174	M16	S45C
CM-246	50	110	156	246	88.9	23.9	201.7	M20	S45C
CM-276	70	120	169	276	101.6	27.2	230.4	M24	S45C

Product No	Rated Torque (N.m)	Shaft End-Play (mm)	Angular (°)	Max. Rotation Frequency (rpm)	Spring (N.m/rad)	Axial spring (kgf/mm)	Moment of Inertia (kg.m ²)
CM-56	20	±0.8	±1	20000	1.96×10 ⁴	7	1.23×10 ⁴
CM-68	45	±0.8	±1	20000	2.45×10 ⁴	4.1	2×10 ⁴
CM-82	95	±1.0	±1	17000	8.82×10 ⁴	6	6×10 ⁴
CM-94	175	±1.2	±1	15000	15.7×10 ⁴	13	13×10 ⁴
CM-105	245	±1.4	±1	12000	25.5×10 ⁴	16	22×10 ⁴
CM-128	440	±1.6	±1	10000	44.1×10 ⁴	22.3	56×10 ⁴
CM-144	780	±1.8	±1	10000	78.4×10 ⁴	31.3	110×10 ⁴
CM-168	1270	±2.5	±1	10000	14.7×10 ⁴	36.2	270×10 ⁴
CM-194	2060	±2.7	±1	8000	22.5×10 ⁴	45	520×10 ⁴
CM-214	3330	±3.3	±1	7500	32.3×10 ⁴	48	880×10 ⁴
CM-246	5290	±3.8	±1	3400	43.1×10 ⁴	56	1750×10 ⁴
CM-276	6860	±4.0	±1	3100	58.8×10 ⁴	60	3250×10 ⁴

CM-W

Disk Clamp Type

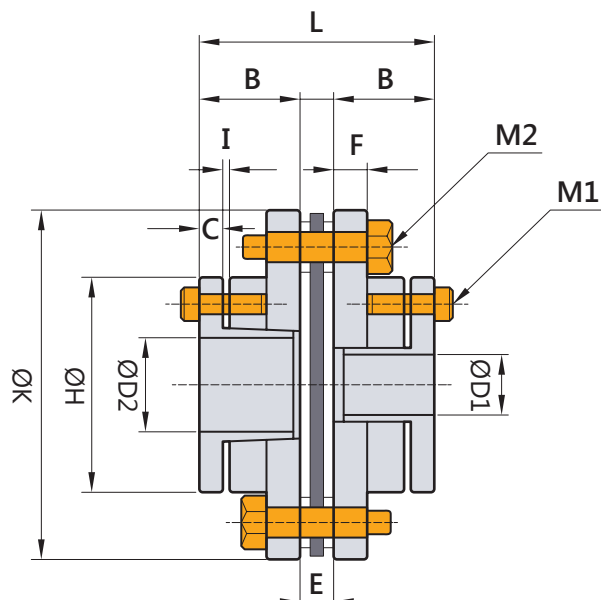
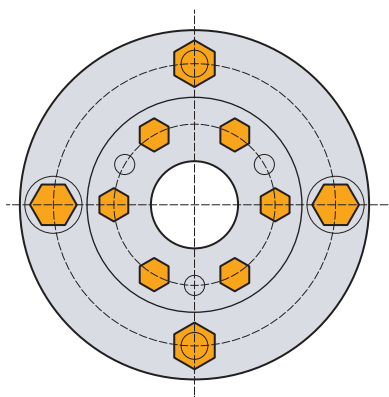


Product No	D1×D2 Tolerance (H8)		H	K	B	E	F	J	L	M
	min	max								
68-W	10	25	38	68	25	5.25	23.8	34.3	84.3	M6
82-W	12	35	52	82	25	8.8	25.8	43.4	93.4	M6
94-W	12	40	56	94	30	9.4	30.4	49.2	109.2	M8
105-W	12	42	66	105	33	10	30.6	50.6	116.6	M8
128-W	25	50	78	128	40	11	38.6	60.6	140.6	M10
144-W	30	55	90	144	45	11.6	45.6	68.8	158.8	M10
168-W	35	70	105	168	57.2	16.8	44.4	78	192.4	M14
194-W	40	80	118	194	64.5	15	55	85	214	M16
214-W	45	95	137	214	76.2	21.6	53.8	97	249.4	M16
246-W	50	110	156	246	88.9	23.9	61.2	109	286.8	M20
276-W	70	120	169	276	101.6	27.2	79.6	134	337.2	M24

Product No	Rated Torque (N.m)	Max. Rotation Frequency (rpm)	Max. Shaft diameter (mm)			Spring (N.m/rad)
			Standard N	Extend L	Enlarge K	
68-W	45	20000	25	25	30	1.18×10 ⁴
82-W	95	20000	35	35	40	3.92×10 ⁴
94-W	175	18000	40	40	42	7.84×10 ⁴
105-W	245	15000	42	42	48	12.7×10 ⁴
128-W	440	13000	50	50	60	21.6×10 ⁴
144-W	780	12000	55	55	70	39.2×10 ⁴
168-W	1270	10000	70	70	80	73.5×10 ⁴
194-W	2060	8000	80	80	90	11.3×10 ⁵
214-W	3330	7500	95	95	110	16.2×10 ⁵
246-W	5290	3400	110	110	120	21.4×10 ⁵
276-W	6860	3100	120	120	130	29.1×10 ⁵

CM-TB

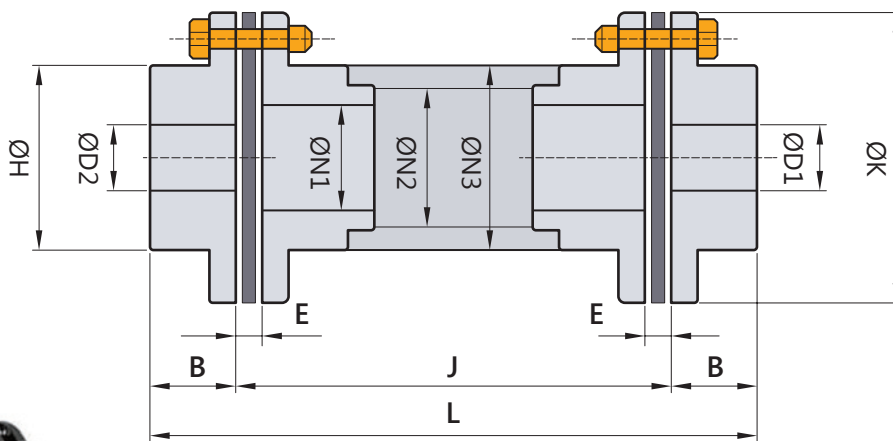
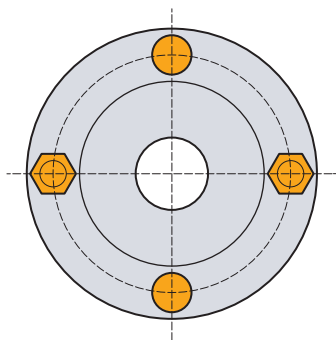
Free-button compression



Product No	D1xD2 Tolerance (H8)		H	K	B	E	I	C	L	M1	M2
	min	max									
68-TB	10	18-K25	38-K48	68	34	5.25	3	6	73.25	M5	M6
82-TB	14	28-K35	52-K62	82	35	8.8	3	7	78.8	M6	M6
94-TB	14	32-K40	56-K69	94	40	9.4	3	7	89.4	M6	M8
105-TB	20	42-K45	66-K74	105	44	10	3	8	98	M6	M8
128-TB	25	45-K50	78-K85	128	53	11	4	9	117	M8	M10
144-TB	30	55	90	144	60	11.6	5	10	131.6	M8	M10
168-TB	35	70	105	168	72.2	16.8	5	10	161.2	M8	M14
194-TB	40	75	118	194	81.5	15	6	11	178	M10	M16
214-TB	45	90	137	214	93.2	21.6	6	11	208	M12	M16
246-TB	50	105	156	246	106.9	23.9	6	12	237.7	M14	M20
276-TB	70	115	169	276	120.6	27.2	6	13	268.4	M16	M24

CM-JS

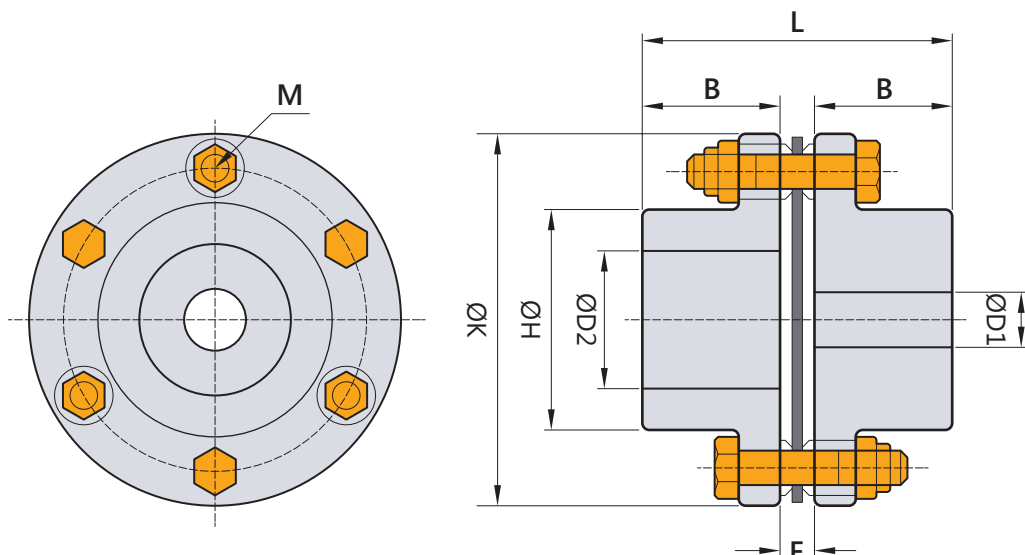
Long Type



Product No	D1 x D2 Max. Shaft diameter	H	K	B	E	J	N1	N2	N3	L	Rated Torque (N.m)	Allowable Angular Error	
												Angular (°)	Shaft End-Play (mm)
68-JS	25	38	68	25	5.25	Length Max 6000mm	28	33	38	2B+J	45	2	±1.6
82-JS	35	52	82	25	8.8		38	44.8	50.8		95	2	±2.0
94-JS	40	56	94	30	9.4		43	48	54		175	2	±2.4
105-JS	42	66	105	33	10		45	59	65		245	2	±2.8
128-JS	50	78	128	40	11		55	68.3	76.3		440	2	±3.2
144-JS	55	90	144	45	11.6		60	79	89		780	2	±3.6
168-JS	70	105	168	57.2	16.8		75	95	105		1270	2	±5.0
194-JS	80	118	194	64.5	15		85	102	114		2060	2	±5.4
214-JS	95	137	214	76.2	21.6		100	121	133		3330	2	±6.6
246-JS	110	156	246	88.9	23.9		105	132	152		5290	2	±7.6
276-JS	120	169	276	101.6	27.2		125	148	168		6860	2	±8.0

CM-6P

Metal Disk Coupling



Product No	D1×D2 Tolerance (H8)		H	K	B	E	L	M
	min	max						
CM-102-6P	12	42	66	102	33	10	76	M8
CM-128-6P	25	50	78	128	40	11	91	M10
CM-144-6P	30	55	90	144	45	11.6	101.6	M10
CM-168-6P	35	70	105	168	57.2	16.8	131.2	M14
CM-180-6P	30	85	116	180	60	15	136	M16
CM-214-8P	40	80	118	214	76.2	21.6	174	M20
CM-246-8P	50	110	156	246	88.9	23.9	201.7	M24
CM-276-8P	70	120	169	276	101.6	27.2	230.4	M24

Product No	Rated Torque (N.m)	Shaft End-Play (mm)	Angular (°)	Max. Rotation Frequency (rpm)	Torsional rigidity (kgf-m/rad)	Axial spring (kgf/mm)	Moment of Inertia (kg.m ²)
CM-102-6P	30	±1.4	±1	30000	0.30×10 ⁵	8.5	0.05
CM-128-6P	50	±1.6	±1	25000	0.45×10 ⁵	11.1	0.10
CM-144-6P	85	±1.8	±1	22000	0.65×10 ⁵	15.6	0.10
CM-168-6P	175	±2.0	±1	19000	0.94×10 ⁵	28	0.14
CM-180-6P	350	±2.0	±1	17000	1.61×10 ⁵	47.7	0.26
CM-214-8P	650	±2.1	±1	15000	3.51×10 ⁵	42.9	0.65
CM-246-8P	900	±2.1	±1	13000	6.21×10 ⁵	58.9	1.24
CM-276-8P	1200	±2.1	±1	11600	5.66×10 ⁵	85.7	1.80